

Pipeline Inspection by drone

Frédéric Mistral Bridge at Valence



Client :
GrDF

Project Manager :
Diadès

Contractor :
Not applicable

Year :
Planning : March 2015

Principle Characteristics:
Girder Bridge, Steel-reinforced concrete mix
Length : 522 meters

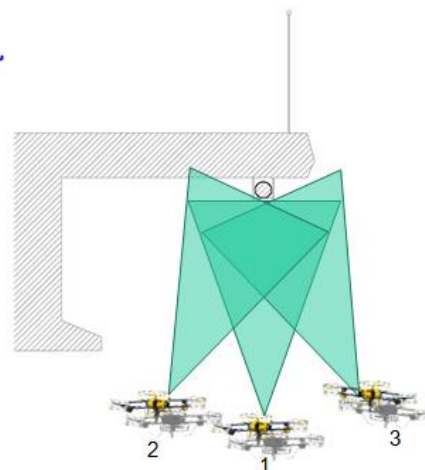
Background

GrDF monitors its infrastructure to detect potential causes (preventive) of damages to transport structures (third party works, changes of a natural origin). The provision relates to an inspection by drone of a pipeline on the underside of the Frédéric Mistral bridge (civil engineering works). The provision relates to an inspection by drone of a pipeline on the underside of the Frédéric Mistral bridge (civil

DIADES' mission

Our mission was to perform a diagnosis, which consisted of:

- the state of the mechanical protection of the overhead crossing
- the condition of the paint or lining of the pipeline,
- the state of the support system,
- the state of corrosion of the pipeline due to the supporting systems,
- the visible state of corrosion in the transition area. (air/material).



Specifics of the mission

In accordance with the drone overflight regulations, our mission was carried out with a two-week permit obtained from the two prefectures affected by the work. The piloting from the river banks involved a maximum distance between drone and pilot of 100 meters.

Diadès
ZAC Le Griffon
7, Chemin des Gorges de Cabriès
13127 VITROLLES
Tél : 04.42.12.41.30
Fax : 04.42.12.41.39
Mail : diades.aix@diades.fr
www.diades.fr

